

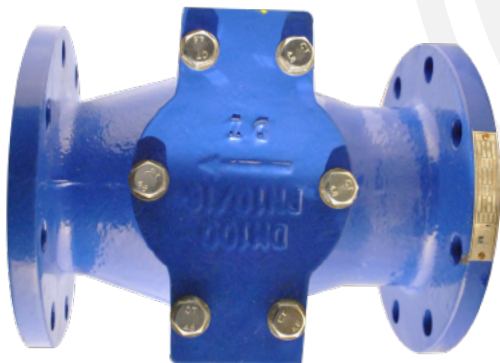
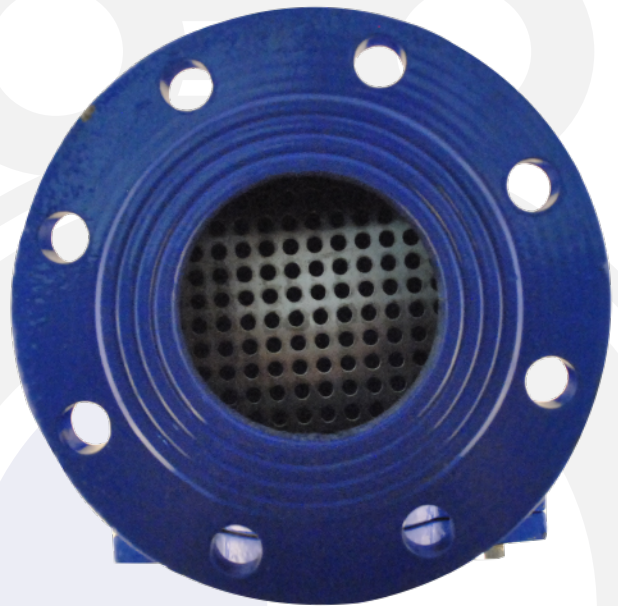
## H-Type Strainer Model X43H

The SBM PTV X43H Strainer offers an effective means of removing unwanted solid particles in pipeline flow. These strainers are ideal for preventing fouling, debris and particle buildup in SBM PTV Automatic Control Valves. The large flow area design, with a flat stainless steel strainer mesh perpendicular to flow, is optimized for low pressure drop applications.

Maintenance is fast and easy with the compact H-Type, requiring service without removal from line. Routine maintenance requires only removal of the top cover and removing unwanted solid particles and debris from strainer body and wire cloth mesh screen. The strainer may be installed in any position, however, installation with cover up is recommended.

### Features:

- A) **Protects valves** and equipment from pipeline debris.
- B) **Low cost.**
- C) **Ductile iron** construction standard.
- D) **Fusion bonded** epoxy coating standard.
- E) **Available** in 150# and PN16 classes.
- F) **High Quality stainless steel screen**; made out of high resistance wire, rugged and braided type.
- G) **Equipped with a plug** on both sides of the unit that can be used for a drain or flush valve.
- H) **Top cover** can be easily removed for cleaning.
- I) **Requires less space**: Does not extend below pipe, making it ideal for locations where it is required that the piping be installed at or near floor level, unlike a standard Y-Strainer which requires additional space to accommodate strainer's profile.



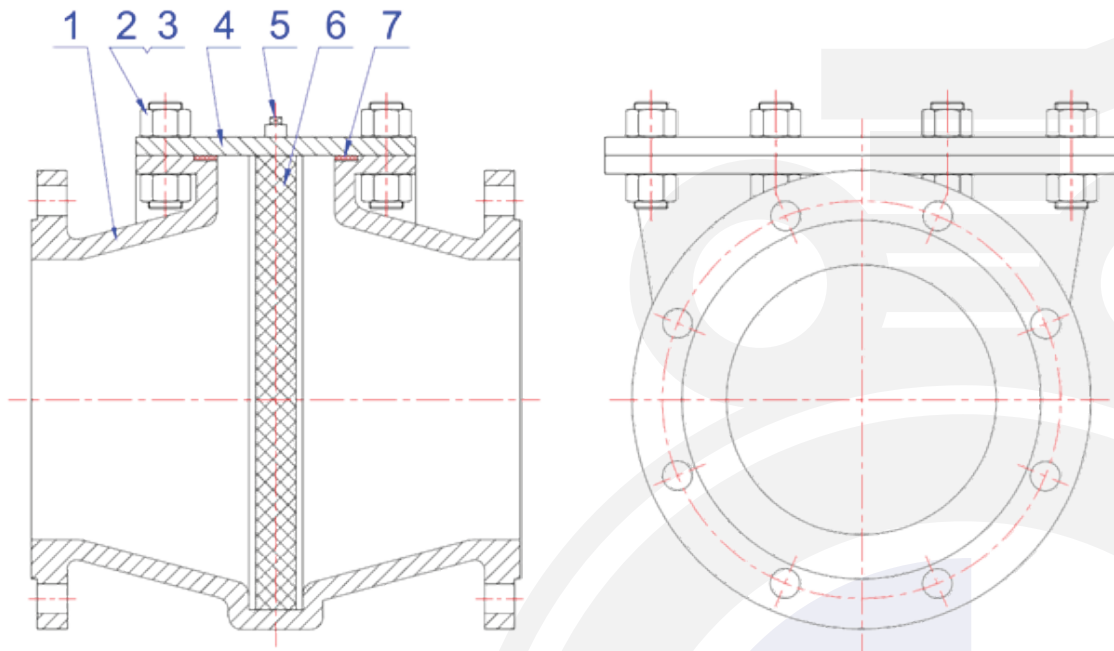
### Performance Data

1. Design & Manufacture standard as to: PED 97/23/CE  
ASME B16.34
2. Face to Face dimension standard as to: MFR-STD
3. Flange dimension conforms as to: BS EN 1092-2 (PN16)  
ASME B16.5 (150LB)
4. Testing And Inspection as to: EN 12266-1 / BS6755 Part 1
5. Pressure-temperature conforms as to: BS EN 12516-1  
ASME B16.34

### Technical Data

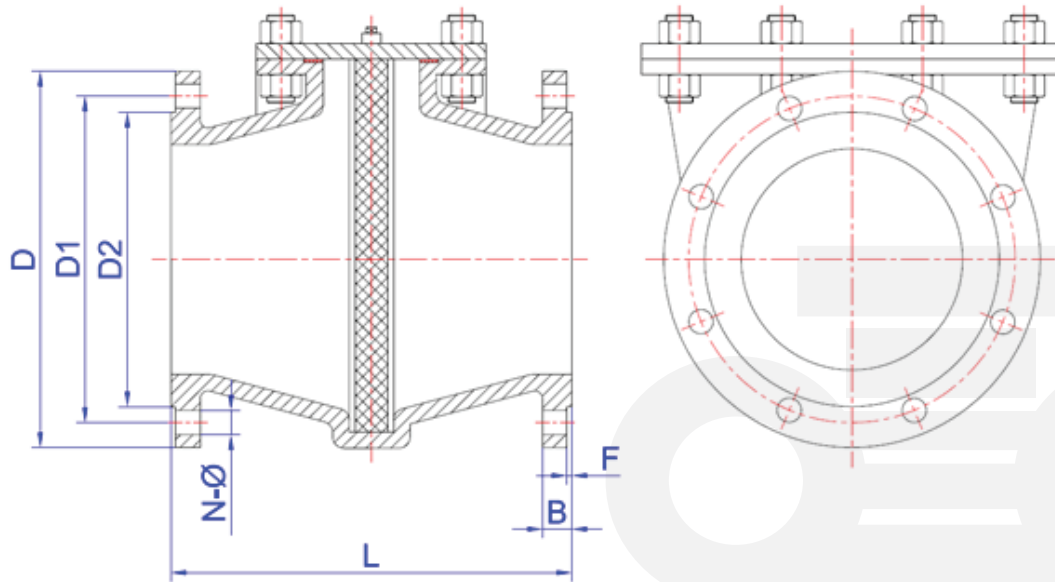
1. Size range: DN50~300 NPS 2"~12"
2. Pressure ratings: PN16 / 150LB
3. Working temperature: -29 ~ +200
4. Suitable Medium: Process Industry  
Power Industry, Chemical Industry,  
Oil and Gas, Pulp and Paper,  
Metals and Mining, Water and Waste.
5. Body Material: Ductile Iron
7. Screen Material: A276 SS304
8. Mesh 20

## H- Strainer Model X43H



### Part List:

No.	Part Name	Material	Standard
1.	Body	Ductile Iron	DIN 1693 / ASTM A536
2.	Bolt	B7+EZP	ASTM A193
3.	Nut	2H+EZP	ASTM A194
4.	Cover	Ductile Iron	DIN 1693 / ASTM A536
5.	Vent Plug	A105+EZP	ASTM A105
6.	Screen	SS304	ASTM A276
7.	Gasket	PTFE	MFR-STD



## Main Dimensions:

### DIN PN16 RF

Flange dimension standard conforms as to: BS EN 1092-2

DN	NPS	L	D	D1	D2	B	N-Ø	F	Weight (Kg)
50	2"	196	Ø165	Ø125	Ø99	19	4-Ø19	3	15
65	2 1/2"	204	Ø185	Ø145	Ø118	19	4-Ø19	3	21
80	3"	235	Ø200	Ø160	Ø132	19	8-Ø19	3	27.5
100	4"	275	Ø220	Ø180	Ø156	19	8-Ø19	3	45
150	6"	305	Ø285	Ø240	Ø211	19	8-Ø23	3	70
200	8"	346	Ø340	Ø295	Ø266	20	12-Ø23	3	105
250	10"	375	Ø400	Ø355	Ø319	22	12-Ø28	3	125
300	12"	395	Ø455	Ø410	Ø370	24.5	12-Ø28	4	185

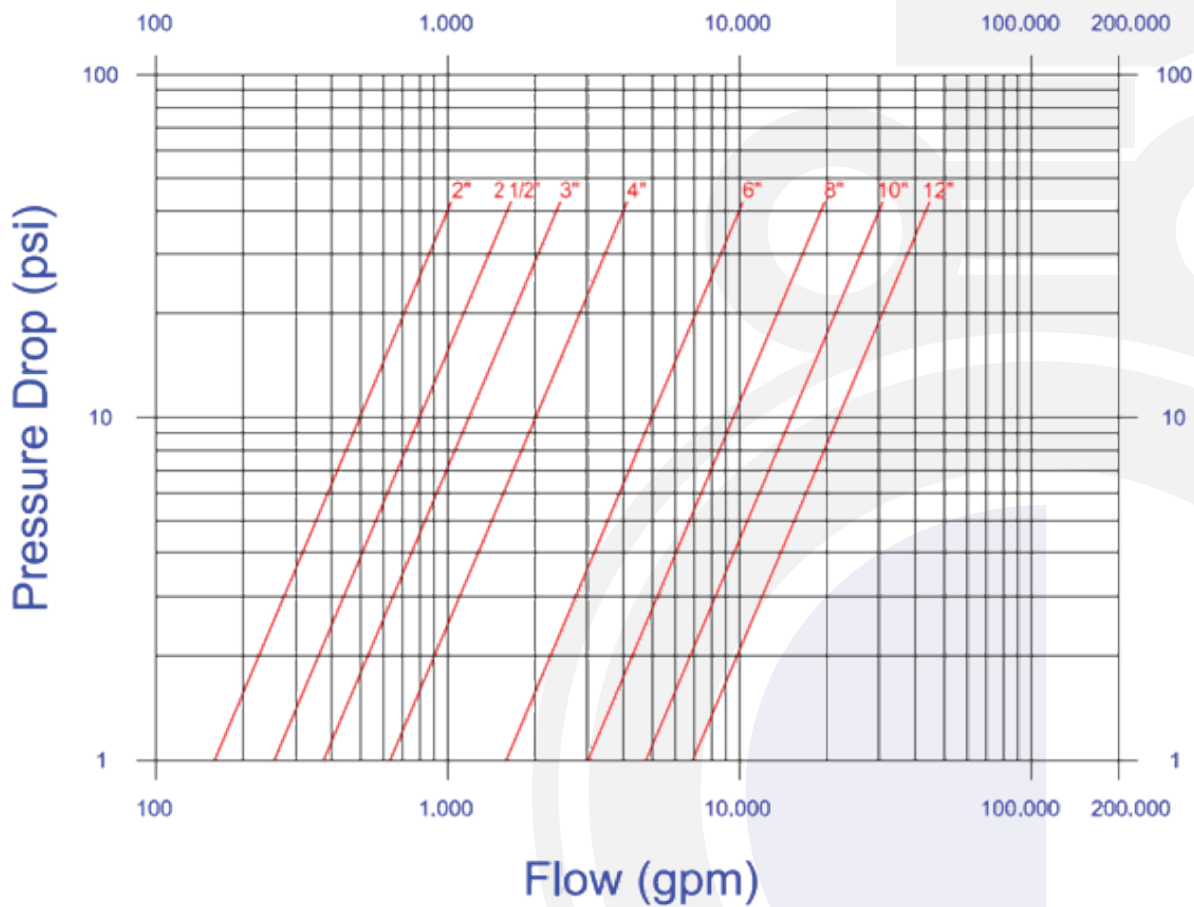
### ASME 150LB RF

Flange dimension standard conforms as to: ASME B16.5

DN	NPS	L	D	D1	D2	B	N-Ø	F	Weight (Kg)
50	2"	196	Ø150	Ø120.7	Ø92	17.5	4-Ø19	2	15
65	2 1/2"	204	Ø180	Ø139.7	Ø105	21	4-Ø19	2	21
80	3"	235	Ø190	Ø152.4	Ø127	22.5	4-Ø19	2	27.5
100	4"	275	Ø230	Ø190.5	Ø157	22.5	8-Ø19	2	45
150	6"	305	Ø280	Ø241.3	Ø216	24	8-Ø22	2	70
200	8"	346	Ø345	Ø298.5	Ø270	27	8-Ø22	2	105
250	10"	375	Ø405	Ø362.0	Ø324	29	12-Ø25.5	2	125
300	12"	395	Ø485	Ø431.8	Ø381	31	12-Ø25.5	2	185

## X43H H-Type Strainer Flow Chart

(Clean Screen)

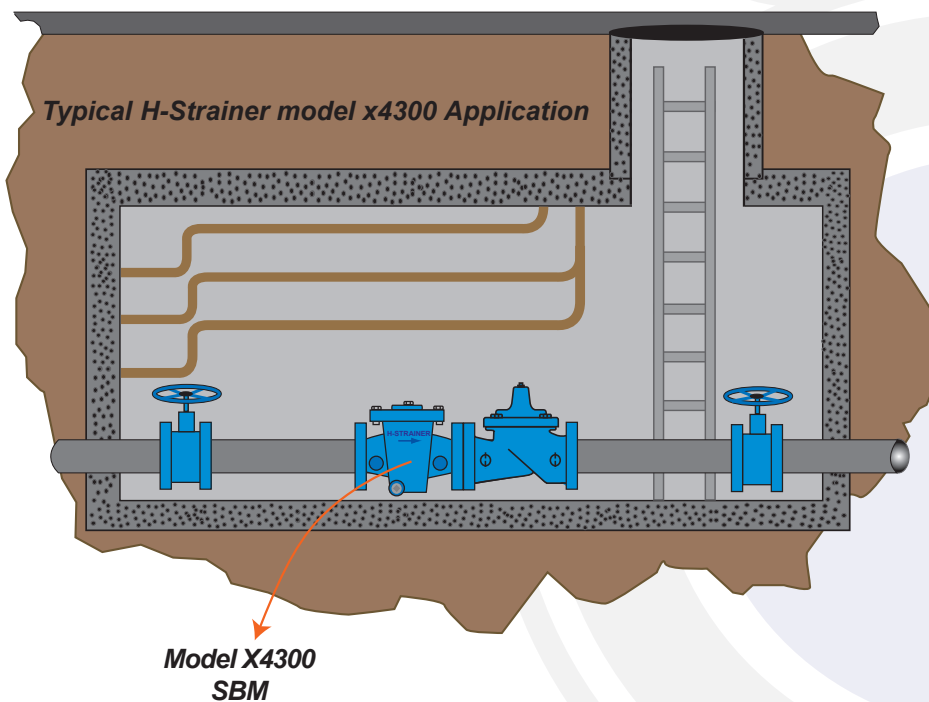


## X43H H-Type Strainer Flow Chart

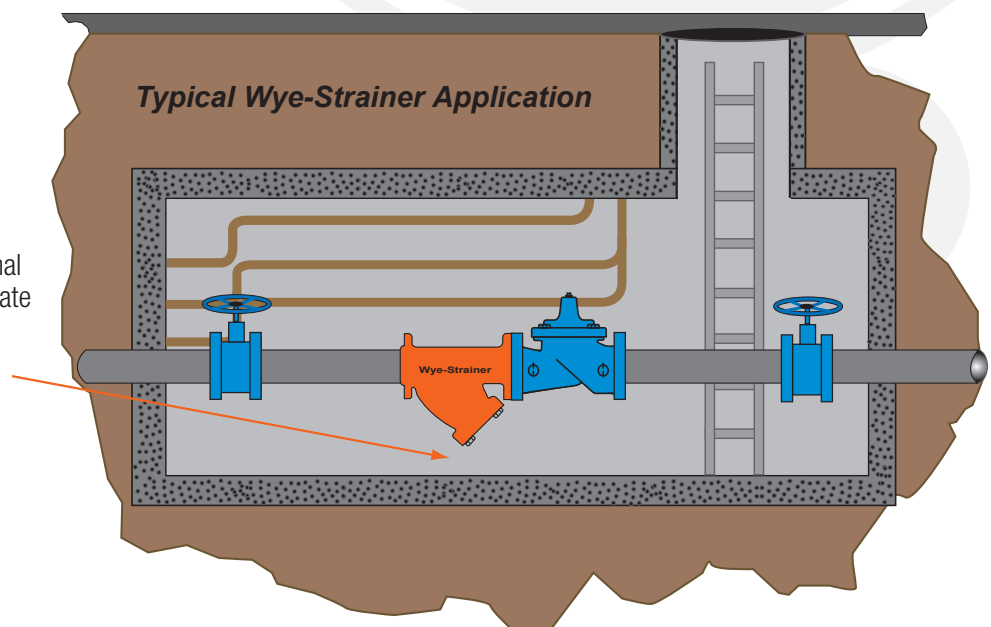
Size	DN50	DN65	DN80	DN100	DN150	DN200	DN250	DN300
	2"	2 1/2"	3"	4"	6"	8"	10"	12"
Cv (Gal/Min. - gpm.)	150	254	367	654	1644	3922	4566	6800
Cv (Litres/Sec - l/s.)	36	61	85	157	395	702	1097	1580

## Advantages of using a H-Strainer Model x4300 in your pipeline

- Protects valves and equipment from pipeline debris
- Low cost
- Ductile iron construction standard
- Fusion bonded epoxy coating standard
- 304 stainless steel strainer
- Available in PN16 and 150# classes
- Equipped with a plug on both sides of the unit that can be used for a drain or flush valve
- Top cover can be easily removed for cleaning
- Requires less space: Does not extend below pipe, making it ideal for locations where it is required that the piping be installed at or near floor level, unlike a standard Wye strainer which requires additional space to accommodate strainer's profile



Because the Wye-Strainer profile extends below the pipeline, additional clearance is required to accommodate configuration as well as to allow for cleaning of strainer mesh.



## ORDERING CODE:

**Example: HS-111-1000**

H-Trainer

GG25 Ductil Iron + Epoxy Paint Body

SS304 Interior

Mesh20

PN16

Size 10"

## Available Body Material Code:

GG25 Ductil Iron: 1

A216 WCB Cast Steel: 2

## Available Interior Material Code:

SS304 CF8 Stainless Steel: 1

SS316 CF8M Stainless Steel: 2

## Available Size Code:

2": 200

2 ½": 250

3": 300

4": 400

5": 500

6": 600

8": 800

10": 1000

12": 1200

## Available Class

PN16: 1

ANSI 150: 2